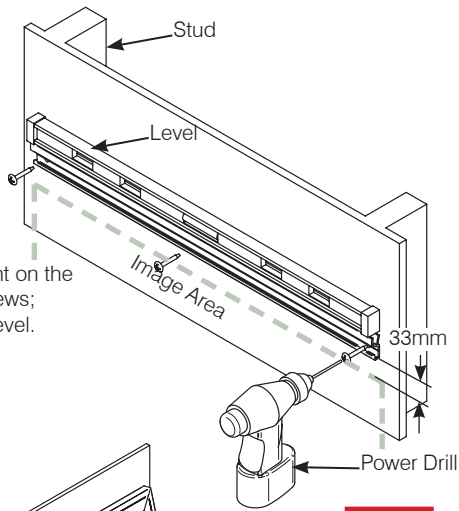
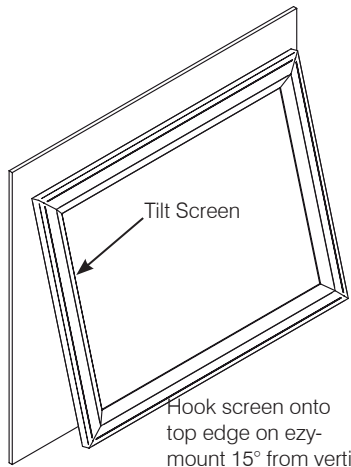


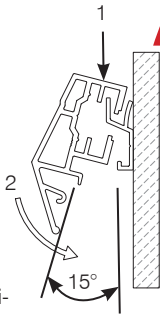
6



Screw Ezy-Mount on the wall with 3 x screws; make sure it is level.

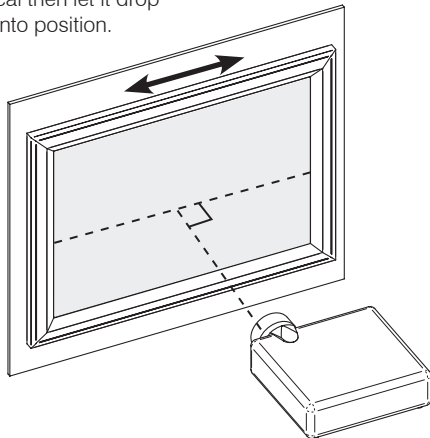


7



Hook screen onto top edge on ezy-mount 15° from vertical then let it drop into position.

8



You can slide screen sideways until it lines up with the image horizontally. Make sure projector sits perpendicular to the screen.

Happy Viewing!

gv

Cleaning Your Screen:

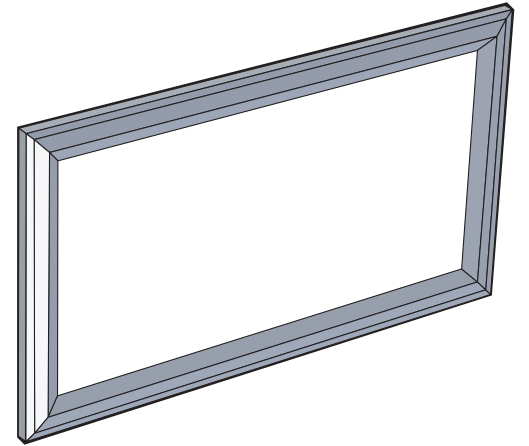
- Do not use any solvents, chemicals or abrasive cleaners on the screen surface.
- Use a mild detergent with warm water to remove any marks on the surface or screen case.
- Always immediately dab the screen with a soft cloth to avoid soap marks.
- Do not scrub the surface.

Warranty: 12 Months

For more information please go to
www.grandviewscreens.com.au
 or call 1300 730 025

Nov 2008 v2.1

gv

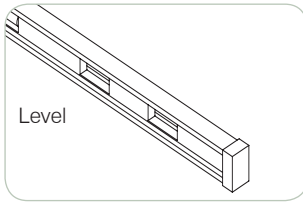


**Grandview Frame Screen
 Installation Manual**

Required (not supplied)



Electric drill
Screw Driver

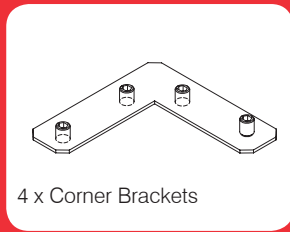


Level

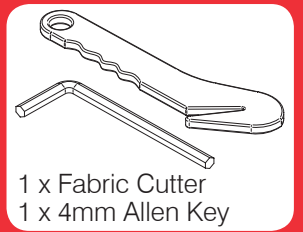


3 x Screws
to suit Wall

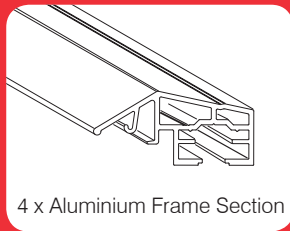
Supplied



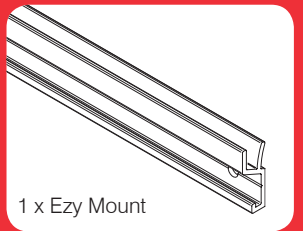
4 x Corner Brackets



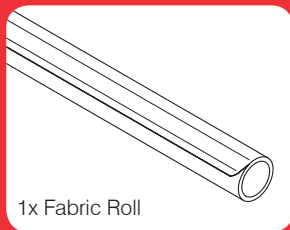
1 x Fabric Cutter
1 x 4mm Allen Key



4 x Aluminium Frame Section



1 x Ezy Mount



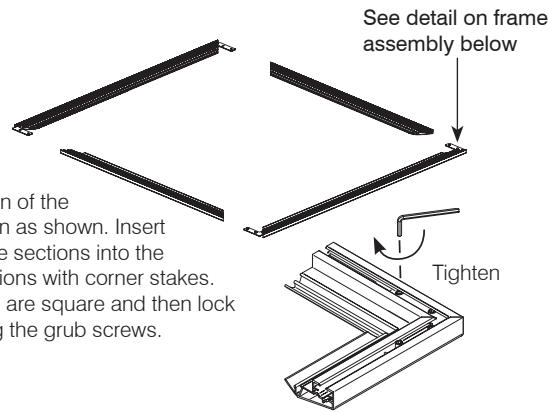
1x Fabric Roll



Ezy-Grip lengths

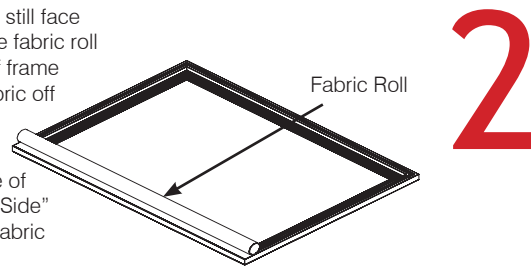
1

Lay each section of the frame face down as shown. Insert both short frame sections into the long frame sections with corner stakes. Ensure all joints are square and then lock off by tightening the grub screws.



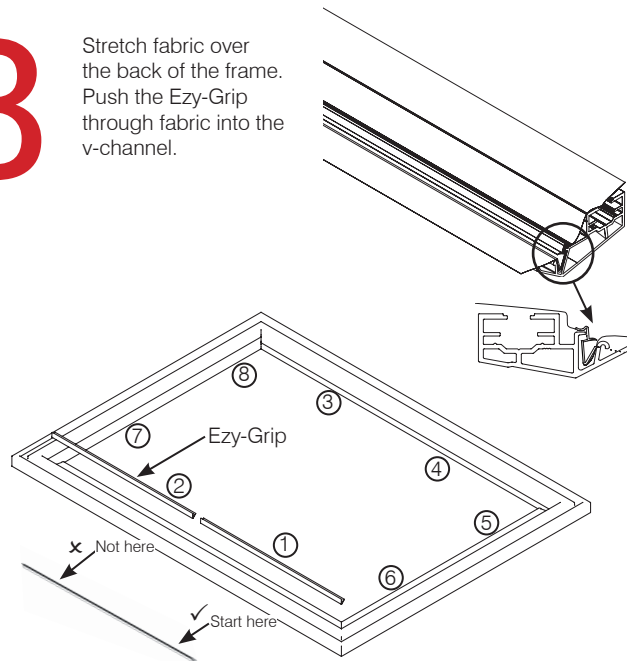
With frame still face down place fabric roll on edge of frame and roll fabric off the roll.

*Take note of "Viewing Side" label on fabric



3

Stretch fabric over the back of the frame. Push the Ezy-Grip through fabric into the v-channel.

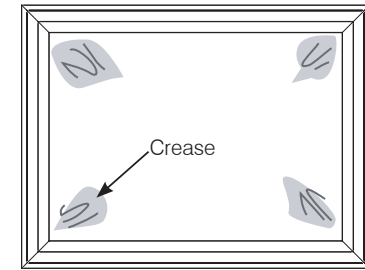
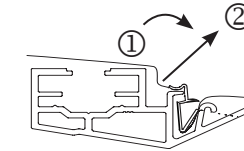


Tip: Insert the Ezy-Grip in the order shown above. Start at the edge of a Ezy-Grip length, but in the middle of the frame.

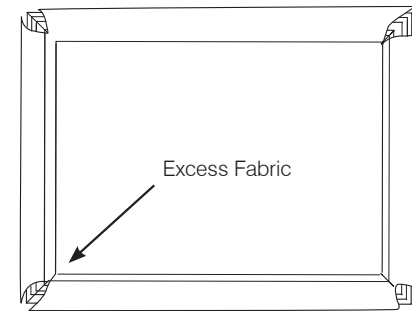
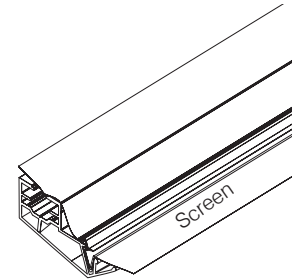
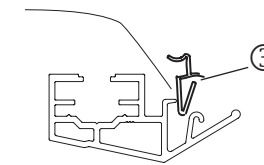
4

If creases or ripples have developed in the screen surface, don't panic. You can easily re-tension the fabric by pressing and holding the Ezy-Grip to release the fabric. To re-tension the fabric see the diagrams below.

To release the Ezy-Grip push the handle forward then lift up to remove. The fabric is now ready to be re-tensioned.



To re-tension the fabric, re-insert the Ezy-Grip and secure the fabric once more.



Once screen is free of creases, trim the excess material with the supplied fabric cutter.

